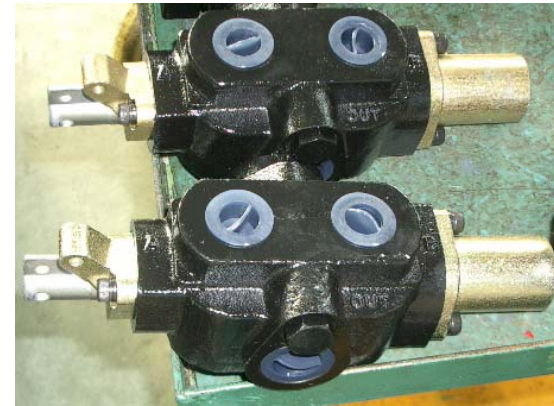


# Newin Company, Inc.

## Presents...

*a world of hydraulic valves*



### Newin Company, Incorporated

Newin Company, Incorporated  
377 South Lemon Avenue, Suite D  
Walnut, CA 91789 USA  
Contact: [Richard Dinsmore](#)

Phone: 609 - 268 - 6706  
Fax: 609 - 268 - 3342  
Email: [info@newincompany.com](mailto:info@newincompany.com)  
[www.newincompany.com](http://www.newincompany.com)

#### *Informational Brochure*

#### **ISO-9001: 2000 Certified for the manufacture of hydraulic and electro-hydraulic valves**

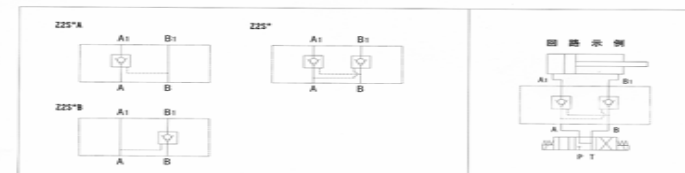
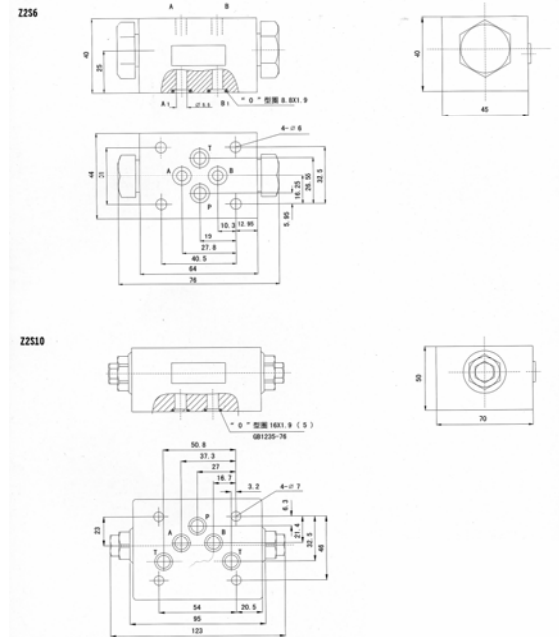
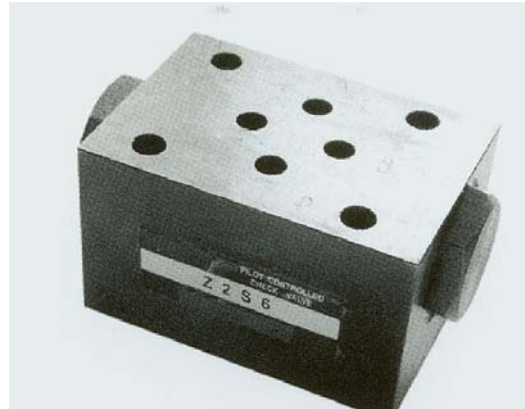
- *Strong Technical Support*
- *Experienced & Knowledgeable Engineering*
- *Responsive & Dedicated Sales*
- *All strengthened by an empirical Quality Management System*

### OVERVIEW

Specialized in the design, manufacture and testing of hydraulic valves and power stations.

Excellent management, superior engineering and supportive sales will bestow upon your company, consistent quality, dependable lead-times and most competitive pricing. Thus making your purchasing project that much easier!.

### Z2S



*Realize significant cost reductions immediately; without affecting quality.*

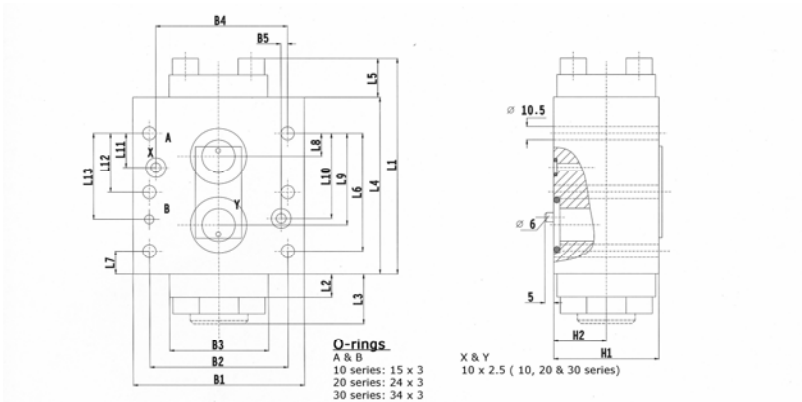
*“Good pricing is only as good as the quality & service it keeps!”*

# SV—SL

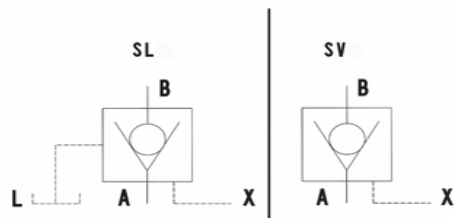
## Factory Specifics



- ISO 9001:2000 Certified
- Established: 1989
- Total Employees: 100
  - 12 Engineers
  - 10 Quality Control
- Spools are turned in-house
- Valves are load tested prior to shipment
- Numerous sizes and configurations are available



Style	Spec.	L1	L2	L3	L4	L5	L6	L7	L8	L9	L10	L11	L12	L13	B1	B2	B3	B4	B5	H1	H2
SV	10	98	18	18	80	18	43	18.5	7.2	35.8	—	21.5	—	32 <sup>+0.3</sup>	85	66.5	40	58.8	—	42	21
	20	115	20	31	95	20	60.5	17.3	11.1	49.2	—	20.6	—	44.5 <sup>+0.2</sup>	100	79.5	55	73	—	57	28.5
	30	144	29	35	115	29	84	15.5	16.5	67.5	—	24.5	42	63 <sup>+0.3</sup>	120	97	70	92.8	—	75	37.5
SL	10	98	18	18	80	18	43	18.5	7.2	35.8	21.5	—	—	32 <sup>+0.3</sup>	85	66.5	40	58.8	7.9	42	21
	20	115	20	31	100	20	60.5	17.3	11.1	49.2	39.7	—	—	44.5 <sup>+0.2</sup>	100	79.5	55	73	6.4	57	28.5
	30	144	29	35	125	29	84	15.5	16.5	67.5	59.5	—	—	63 <sup>+0.3</sup>	120	97	70	92.8	3.8	75	37.5



*Complete Testing with a full line of valves available*

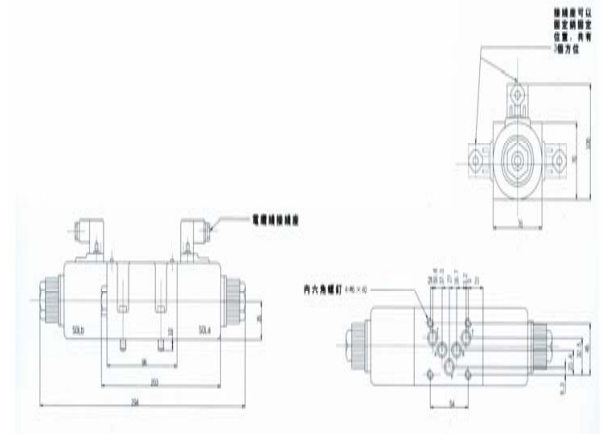


Test Stand 3



Test Stand 4

## DS-G03 DC12V & DC 24V

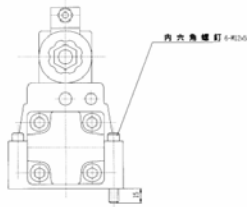
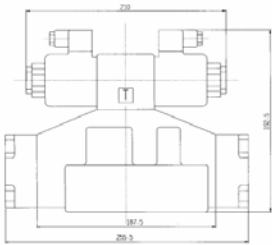
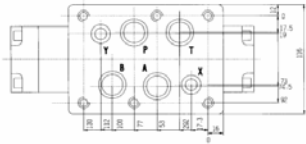
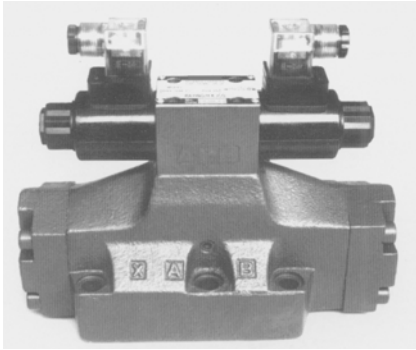


Style	Schematic	Style	Schematic
C 2		N 2	
C 3		N 3	
C 4		D 2	
C 4 0		D 3	
C 5		B 2	
C 6		B 3	
C 6 0		B 2 0	
C 7		B 2 S	
C 8		B 3 S	
C 9		B 2 0 S	
C 2 B		C 2 B S	
C 3 B		C 3 B S	
C 4 B		C 4 B S	
C 4 0 B		C 4 0 B S	
C 5 B		C 5 B S	
C 6 B		C 6 B S	
C 6 0 B		C 6 0 B S	
C 7 B		C 7 B S	
C 8 B		C 8 B S	
C 9 B		C 9 B S	
C 5 S B		C 5 S	
C 8 S B		C 8 S	
C 9 S B		C 9 S	





# DSY Series DC12V & DC 24V



Log Splitter Valves



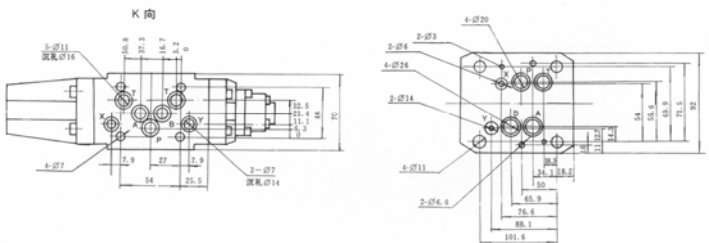
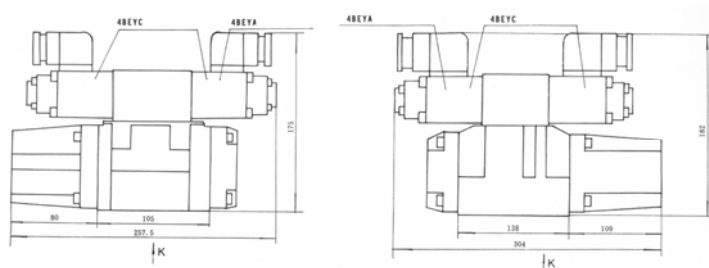
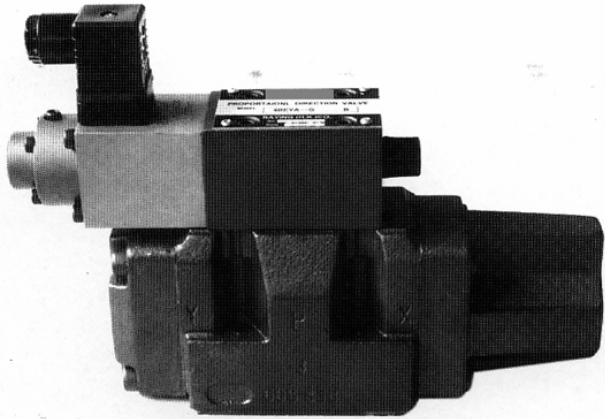
Solenoids  
To be tested

Style	Schematic	Style	Schematic
C 2		N 2	
C 3		N 3	
C 4		N 4	
C 4 0		N 4 0	
C 5		B 2	
C 6		B 3	
C 6 0		B 4	
C 7		B 4 0	
C 8			
C 9			



*Over 50 different valves available*

**4BEY Series**  
900 psi ~ 4,500 psi



**HYS Series**  
900 psi ~ 1,750 psi

